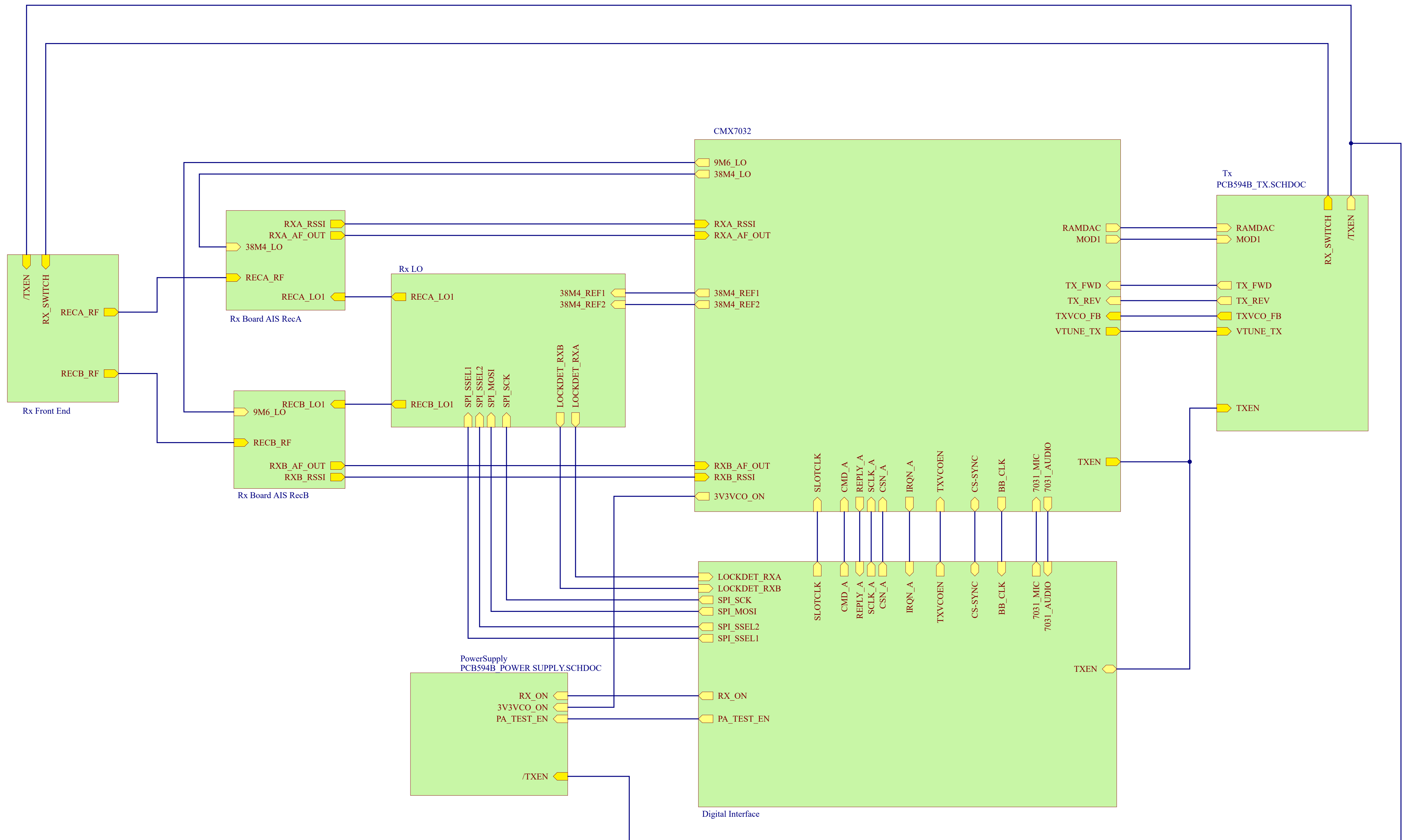


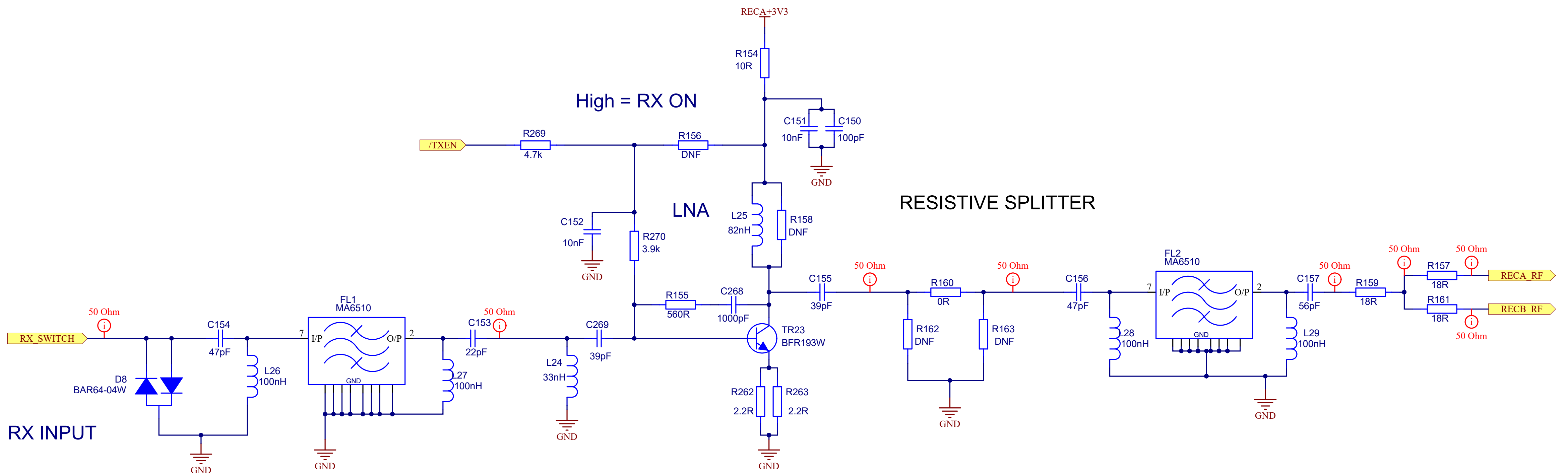
CML Microcircuits

COMMUNICATION SEMICONDUCTORS

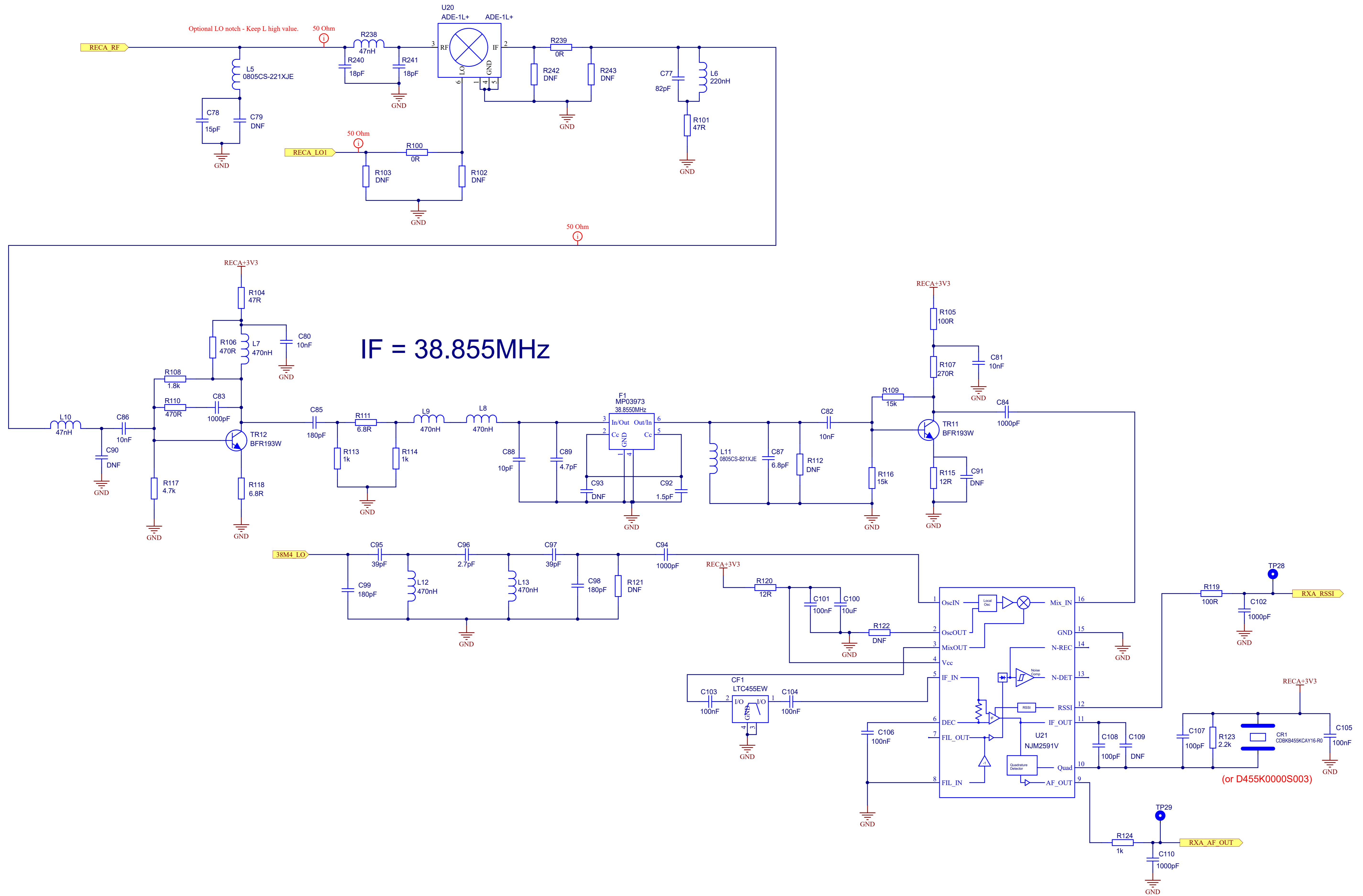
High Resolution Circuit Diagrams for DE70322TC

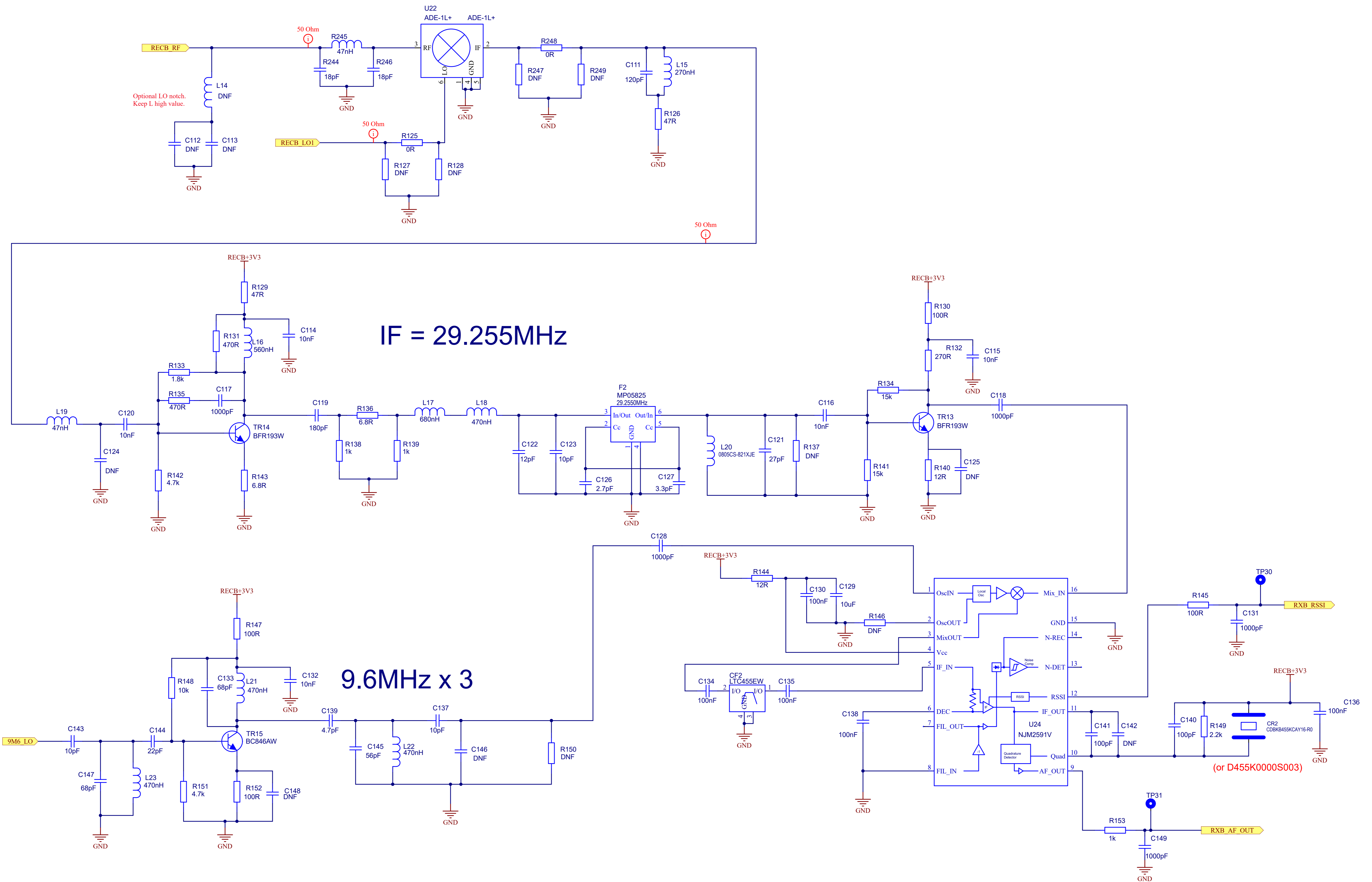
30/3/2020

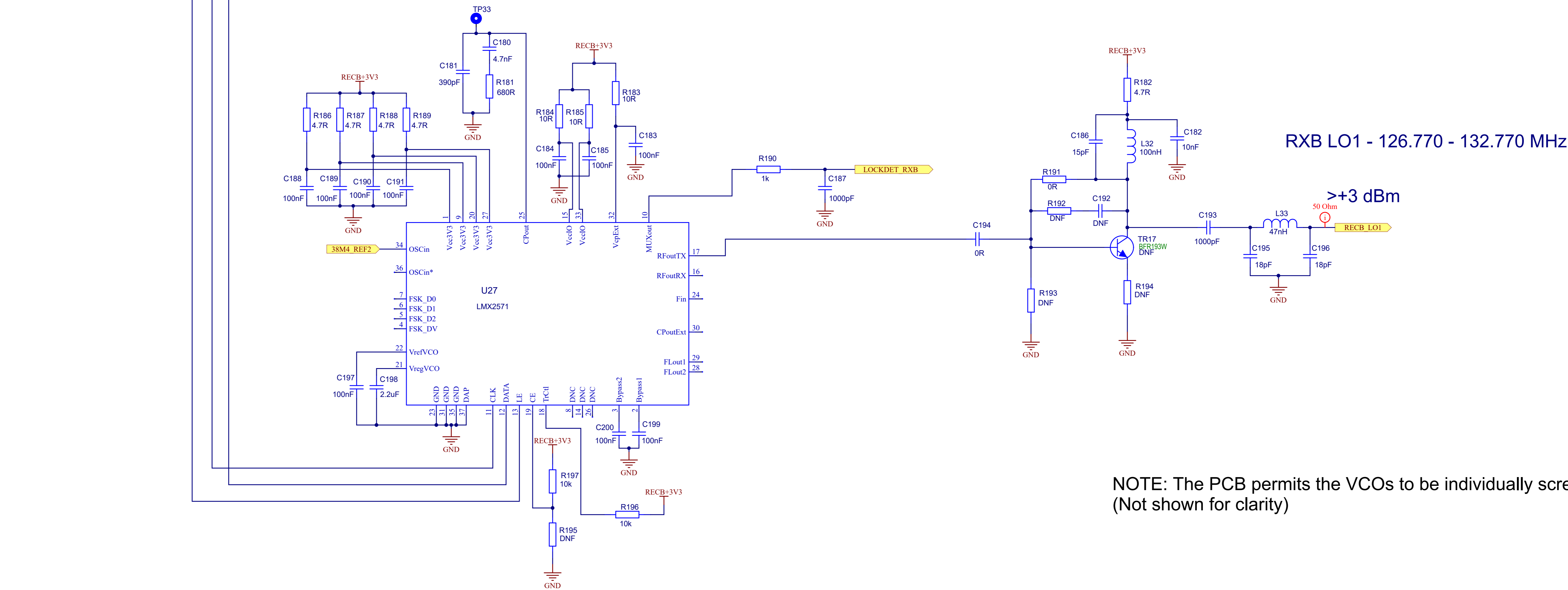
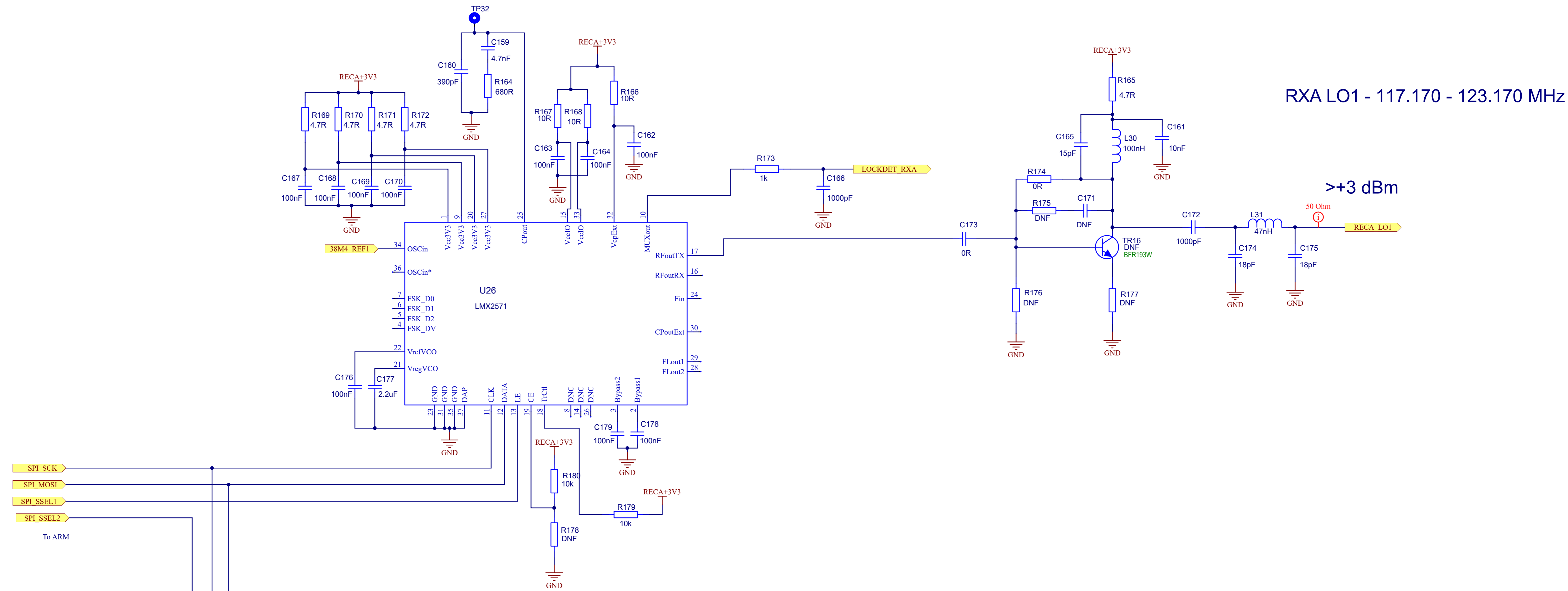




D9 / D3 are inside screening can with harmonic filter & detector on top layer







NOTE: The PCB permits the VCOs to be individually screened (Not shown for clarity)

